

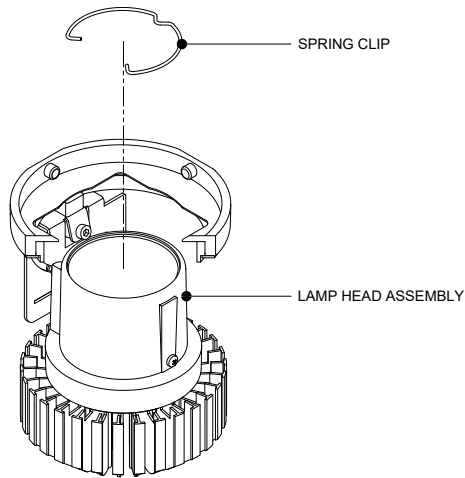
Installation Instructions Lamp Accessory Replacement

For GR, GRF, GRO



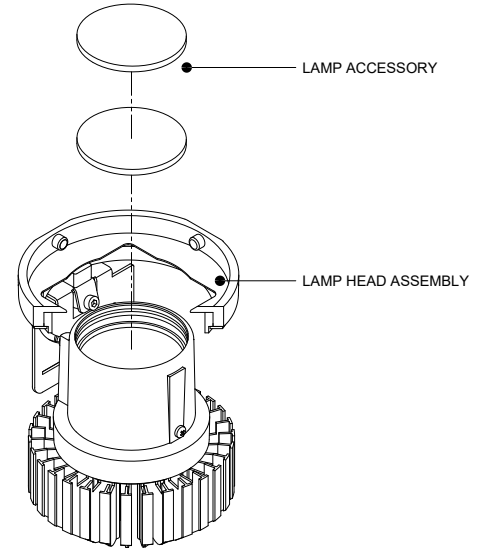
Step A

Unclip spring clip over optical accessory from groove and remove from lamp head assembly.



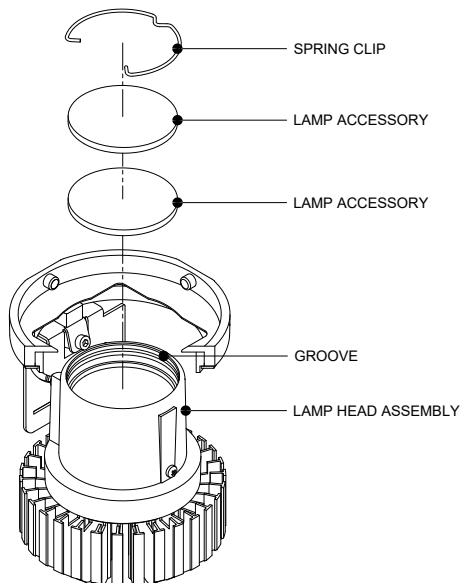
Step C

Lift lamp accessory from lamp head assembly.



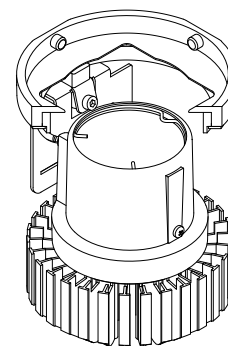
Step B

Lay lamp accessory into lamp holder over reflector. Install spring clip into groove over the top of the lamp accessory.



Step D

Re-install lamp head assembly into fixture.



Accessory install is recommended prior to final head installation to avoid having to remove and disconnect.
However, accessories can be added at any time.

** LED'S SHOULD BE PROTECTED FROM DUST AND DEBRIS DURING INSTALLATION AND MAINTENANCE

[Click here to read full Care and Maintenance](#)