



Project Name: \_\_\_\_\_  
 Specifier: \_\_\_\_\_  
 Distributor: \_\_\_\_\_  
 Quantity: \_\_\_\_\_ Type: \_\_\_\_\_  
 Signature: \_\_\_\_\_

## GRF-M Series

The Innovative Line of



# MR-16 Lighting Solutions

**GRFM** Series in low to medium ceiling heights typically found in residential, commercial or retail applications. GRF-M series fixtures feature a flat trim surface that blends seamlessly with the ceiling construction. The Graffiti™ fixtures provide cost effective MR-16 lighting solutions. As the creative spirit of its name implies, Graffiti™ systems provide all the quality SLI has grown famous for over the last 25 years, but at reduced lead times, affordable price points and innovative technologies that will liberate your creative flair.

## ADJUSTABLE/FIXED

### SPECIFICATIONS

**MOUNTING** - Recessed in architectural ceiling. Butterfly brackets and Hanger bars included with housing and mounting pans.

- **IC** - Housing for new construction where insulation comes in contact with fixture
- **NIC** - Housing for new construction where IC not required
- **IH** - International Housing (Open Housing- no transformer included)
- **AH** - Airtight Housing (Non IC)
- **CP** - Chicago Plenum

**TRIM** - One piece die cast aluminum, flanged or flangeless trim with a flat surface . Available for wet locations.

Accommodates up to 1" ceiling thickness as standard.

- **ZT/ZST**- for use in plaster/GWB ceilings
- **FT/FST**- for use in architectural ceilings

### ELECTRICAL

- **Magnetic (TX)**
- **Electronic SORAA (EXS)** Powered by SORAA

### LAMP

- **MR16** - 50W Max. (37W Max for IC/Airtight/CP) , Available as GU10
- **SMRA** - Sorra Retrofit

**LENS/OPTICS** - Interchangeable reflector provides multiple beam patterns.

Field-changeable optics




\* Optional lenses available for aperture include Solite and Veiling Acrylic.

Accepts two optical accessories and an optional trim mounted lens.

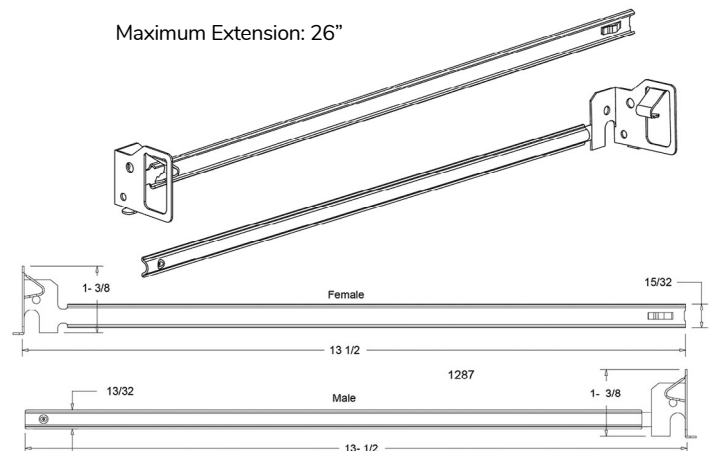
**FINISH** - Black powder paint housing. Aper. trim available in white as standard. Can be field painted to match ceiling finish.

**WARRANTY** - 2 year limited on MR-16 and transformer.

See website for details.

**LABELS** -  US tested to UL standards 1598, Dry/Damp and Wet listings. IC/Airtight, Chicago Plenum,  compliant,  WORKS WITH SORAA

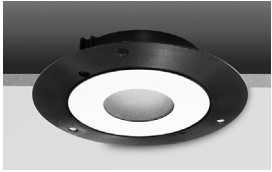
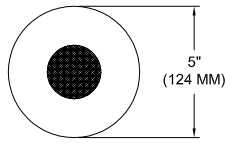
**ACCESSORY**-1287 Hanger Bar comes standard with IC/NIC/CP Housing\*



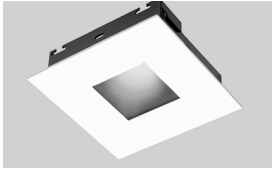
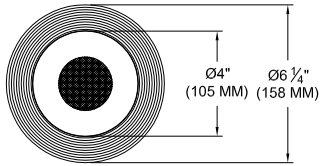
# INFORMATION- TRIM



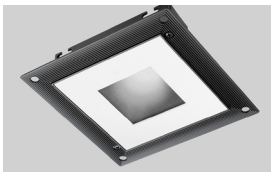
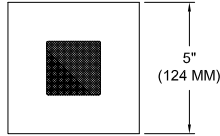
ROUND/ FLANGED



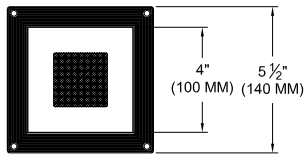
ROUND / FLANGELESS



SQUARE / FLANGED

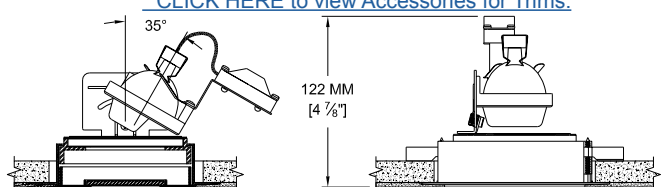
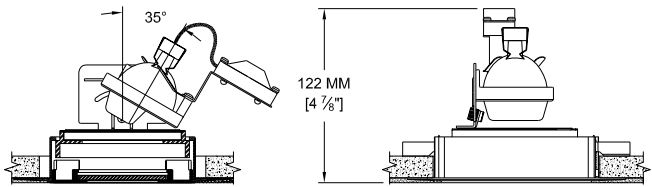
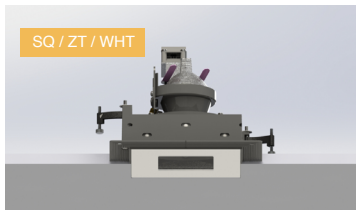
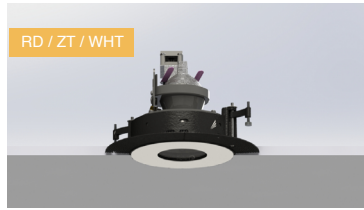


SQUARE / FLANGELESS



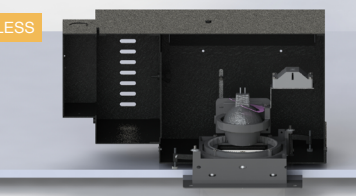
# INFORMATION- HOUSING

For easy installation in existing ceilings.

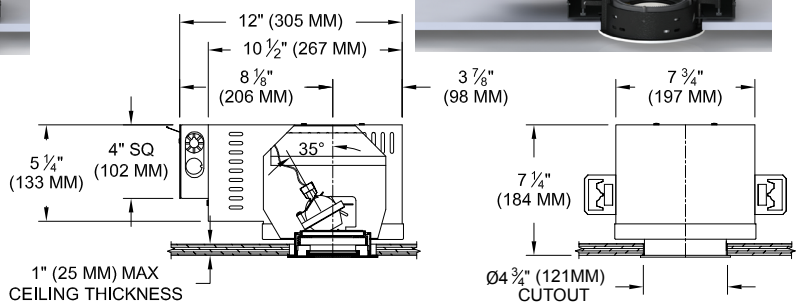
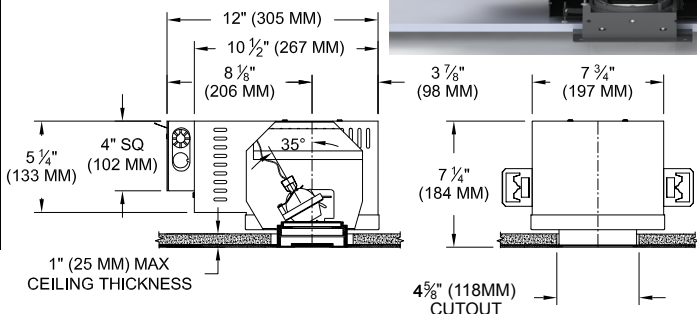
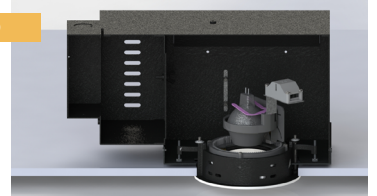


\*For projects requiring housings or IC rated fixtures. IC and CP housings will have no vents.

SQUARE/FLANGELESS



ROUND/FLANGED



\* [CLICK HERE to view Accessories for Trims.](#)

# ORDER INFO

# CODE

Graffiti™ Housing

GRF-M

## Housing

TITLE 24

- IC = IC
- NIC = Non IC
- IH = International Housing (Open Housing- no transformer included)
- AH = Airtight Housing (Non IC)
- CP = Chicago Plenum

## Source/Wattage/Lumens/Delivered

- MR37 = MR-16 / 37W Max for IC/Airtight/CP
- MR50 = MR-16 / 50W
- GUMR = MR-16 GU10
- SMRA = SORAA Retrofit

TITLE 24

## Type

- F = Fixed
- A = Adjustable

## Transformer

- TX = Magnetic
- EXS = Electronic SORAA
- GX = GU10 Socket\*

\*GU10 requires 120V

## Voltage

- 120V
- 277V

# Graffiti™ Trim

# GRFT-M

## Shape

- RD = Round
- SQ = Square

## Trim

- FT = Flanged
- ZT = Flangeless
- FST\* = Flanged Shower
- ZST\* = Flangeless Shower

\*Lens Required

## Finish

- WHT = White

WHT

## Lens

- 91A = Solite

I  
H

I  
C  
N  
I  
C  
/A  
H  
/C  
P